

# KDR-BES-U brush strip with clamp profile

in custom length or sized for Rittal, nVent Hoffman, ELDON, Häwa, Schneider Electric & ETA enclosures



RoHS  
compliant

REACH  
COMPLIANCE

Made in  
Germany

Cable pass-through brush strip for enclosure bases or individual cut-outs on cabinets, enclosures, panels, server racks or machine walls.

Due to the innovative and universal clamp strip the brush can also be assembled in a 90° angle, e.g. on bent sheet metal. Brush may be removed from the profile at any time and remounted using other mounting options.

The KDR-BES-U brush strip is adaptable to almost any enclosure or cabinet type on the market. The standard gland plates included in the enclosure delivery can be used for assembly. They do not have to be changed!

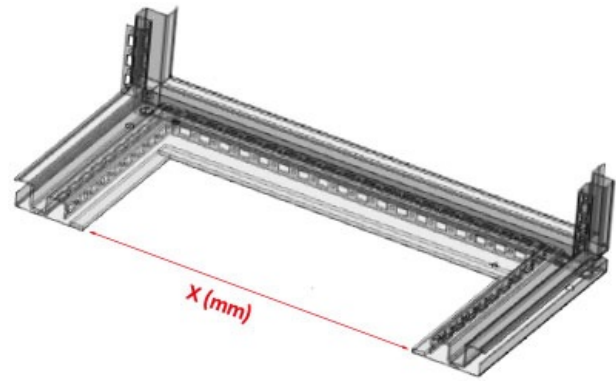
## There are 4 different models available:

Order No. 58210.xxxx - for sheet/wall thickness 1.5 - 2 mm, brush height 35 mm

Order No. 58215.xxxx - for sheet/wall thickness 1.5 - 2 mm, brush height 50 mm

Order No. 58225.xxxx - for sheet/wall thickness 2.5 - 3 mm, brush height 35 mm

Order No. 58230.xxxx - for sheet/wall thickness 2.5 - 3 mm, brush height 50 mm



## Defining your individual length:

X (mm) = sight size of enclosure base opening

Order numbers (ex.):

X = 999 mm --> Order No. 58210.0999

## Specifications

<b>Material</b>	Aluminium Brushes: Polyamide
<b>Operating temperature</b>	-20 C° to 90 C°
<b>Properties</b>	silicone free, halogen free

## Advantages & benefits

- Quick assembly without tools
- Original enclosure gland plates can be used when mounting
- Three mounting types possible
- Brush may be remounted at any time using other mounting options
- Available in almost any length up to 1.500 mm

## Product types & sizes

**KDR-BES-U-xxxx (1.5-2-35 mm)**

Part No. **58210.xxxx**  
EAN  
Package **1**  
quantity  
Brush height **35 mm**  
For min. wall **1,5 mm**  
thickness  
For max. wall **2 mm**  
thickness



**KDR-BES-U-xxxx (1.5-2-50 mm)**

Part No. **58215.xxxx**  
EAN  
Package **1**  
quantity  
Brush height **50 mm**  
For min. wall **1,5 mm**  
thickness  
For max. wall **2 mm**  
thickness



**KDR-BES-U-xxxx (2.5-3-35 mm)**

Part No. **58225.xxxx**  
EAN  
Package **1**  
quantity  
Brush height **35 mm**  
For min. wall **2,5 mm**  
thickness  
For max. wall **3 mm**  
thickness



**KDR-BES-U-xxxx (2.5-3-50 mm)**

Part No. **58230.xxxx**  
EAN  
Package **1**  
quantity  
Brush height **50 mm**  
For min. wall **2,5 mm**  
thickness  
For max. wall **3 mm**  
thickness



**KDR-BES-U-VX25-600 (35 mm)**



Part No.	<b>58225.0452</b>	Sight size of	<b>452 mm</b>
EAN	<b>4251269320</b>	base opening	
	<b>385</b>	Brush height	<b>35 mm</b>
Package quantity	<b>1</b>		
Width	<b>16 mm</b>		
Suitable for enclosure	<b>Rittal VX25</b>		
Length	<b>452 mm</b>		
For enclosure width	<b>600 mm</b>		

**KDR-BES-U-VX25-600 (50mm)**



Part No.	<b>58230.0452</b>	Sight size of	<b>452 mm</b>
EAN	<b>4251269320</b>	base opening	
	<b>996</b>	Brush height	<b>50 mm</b>
Package quantity	<b>1</b>		
Width	<b>16 mm</b>		
Suitable for enclosure	<b>Rittal VX25</b>		
Length	<b>452 mm</b>		
For enclosure width	<b>600 mm</b>		

**KDRS-BES-U-VX25-600 (50mm)**

Part No.	<b>58030</b>	Sight size of	<b>452 mm</b>
EAN	<b>4251269328</b>	base opening	
	<b>909</b>	Brush height	<b>50 mm</b>
Package quantity	<b>1</b>		
Width	<b>16 mm</b>		
Suitable for enclosure	<b>Rittal VX25</b>		
Length	<b>488 mm</b>		
For enclosure width	<b>600 mm</b>		



**KDR-BES-U-VX25-800 (35 mm)**

Part No.	<b>58225.0652</b>	Sight size of	<b>652 mm</b>
EAN	<b>4251269320</b>	base opening	
	<b>392</b>	Brush height	<b>35 mm</b>
Package quantity	<b>1</b>		
Width	<b>16 mm</b>		
Suitable for enclosure	<b>Rittal VX25</b>		
Length	<b>652 mm</b>		
For enclosure width	<b>800 mm</b>		



**KDRS-BES-U-VX25-800 (50mm)**



Part No.	<b>58031</b>	Sight size of	<b>652 mm</b>
EAN	<b>4251269328</b>	base opening	
	<b>916</b>	Brush height	<b>50 mm</b>
Package quantity	<b>1</b>		
Width	<b>16 mm</b>		
Suitable for enclosure	<b>Rittal VX25</b>		
Length	<b>688 mm</b>		
For enclosure width	<b>800 mm</b>		

**KDR-BES-U-VX25-800 (50mm)**



Part No.	<b>58230.0652</b>	Sight size of	<b>652 mm</b>
EAN	<b>4251269321</b>	base opening	
	<b>016</b>	Brush height	<b>50 mm</b>
Package quantity	<b>1</b>		
Width	<b>16 mm</b>		
Suitable for enclosure	<b>Rittal VX25</b>		
Length	<b>652 mm</b>		
For enclosure width	<b>800 mm</b>		

**KDR-BES-U-VX25-1000 (35 mm)**

Part No.	<b>58225.0402</b>	Sight size of	<b>402 mm</b>
EAN	<b>4251269320</b>	base opening	
	<b>408</b>	Division bar	<b>yes</b>
Package quantity	<b>1</b>	Brush height	<b>35 mm</b>
Width	<b>16 mm</b>		
Suitable for enclosure	<b>Rittal VX25</b>		
Length	<b>402 mm</b>		
For enclosure width	<b>1.000 mm</b>		



**KDR-BES-U-VX25-1000 (50mm)**

Part No.	<b>58230.0402</b>	Sight size of	<b>402 mm</b>
EAN	<b>4251269320</b>	base opening	
	<b>989</b>	Division bar	<b>yes</b>
Package quantity	<b>1</b>	Brush height	<b>50 mm</b>
Width	<b>16 mm</b>		
Suitable for enclosure	<b>Rittal VX25</b>		
Length	<b>402 mm</b>		
For enclosure width	<b>1.000 mm</b>		



**KDRS-BES-U-VX25-1000 (50mm)**



Part No.	<b>58032</b>	Sight size of	<b>402 mm</b>
EAN	<b>4251269328</b>	base opening	
	<b>923</b>	Division bar	<b>yes</b>
Package quantity	<b>1</b>	Brush height	<b>50 mm</b>
Width	<b>16 mm</b>		
Suitable for enclosure	<b>Rittal VX25</b>		
Length	<b>438 mm</b>		
For enclosure width	<b>1.000 mm</b>		

**KDR-BES-U-VX25-1200 (35 mm)**



Part No.	<b>58225.0502</b>	Sight size of	<b>502 mm</b>
EAN	<b>4251269320</b>	base opening	
	<b>415</b>	Division bar	<b>yes</b>
Package quantity	<b>1</b>	Brush height	<b>35 mm</b>
Width	<b>16 mm</b>		
Suitable for enclosure	<b>Rittal VX25</b>		
Length	<b>502 mm</b>		
For enclosure width	<b>1.200 mm</b>		



**KDR-BES-U-VX25-1200 (50mm)**

Part No.	<b>58230.0502</b>	Sight size of	<b>502 mm</b>
EAN	<b>4251269321009</b>	base opening	
		Division bar	<b>yes</b>
Package quantity	<b>1</b>	Brush height	<b>50 mm</b>
Width	<b>16 mm</b>		
Suitable for enclosure	<b>Rittal VX25</b>		
Length	<b>502 mm</b>		
For enclosure width	<b>1.200 mm</b>		



**KDRS-BES-U-VX25-1200 (50mm)**

Part No.	<b>58033</b>	Sight size of	<b>502 mm</b>
EAN	<b>4251269328930</b>	base opening	
		Division bar	<b>yes</b>
Package quantity	<b>1</b>	Brush height	<b>50 mm</b>
Width	<b>16 mm</b>		
Suitable for enclosure	<b>Rittal VX25</b>		
Length	<b>538 mm</b>		
For enclosure width	<b>1.200 mm</b>		



**KDR-BES-U-TS8-600-0435**

Part No.	<b>58210.0435</b>	For enclosure	<b>600 mm</b>
EAN	<b>4251269316</b>	width	
	<b>524</b>	Sight size of	<b>435 mm</b>
Package quantity	<b>1</b>	base opening	
Width	<b>16 mm</b>		
Brush height	<b>35 mm</b>		
Suitable for enclosure	<b>Rittal TS 8</b>		
Length	<b>435 mm</b>		



**KDR-BES-U-TS8-800**

Part No.	<b>58210.0635</b>	For enclosure	<b>800 mm</b>
EAN	<b>4251269316</b>	width	
	<b>548</b>	Sight size of	<b>635 mm</b>
Package quantity	<b>1</b>	base opening	
Width	<b>16 mm</b>		
Brush height	<b>35 mm</b>		
Suitable for enclosure	<b>Rittal TS 8</b>		
Length	<b>635 mm</b>		



**KDR-BES-U-TS8-1000**

Part No.	<b>58210.0397</b>	For enclosure	<b>1.000 mm</b>
EAN	<b>4251269316</b>	width	
	<b>517</b>	Sight size of	<b>397 mm</b>
Package	<b>1</b>	base opening	
quantity		Division bar	<b>yes</b>
Width	<b>16 mm</b>		
Brush height	<b>35 mm</b>		
Suitable for	<b>Rittal TS 8</b>		
enclosure			
Length	<b>397 mm</b>		



**KDR-BES-U-TS8-1000-0835**

Part No.	<b>58210.0835</b>	For enclosure	<b>1.000 mm</b>
EAN	<b>4251269316</b>	width	
	<b>555</b>	Sight size of	<b>835 mm</b>
Package	<b>1</b>	base opening	
quantity		Division bar	<b>no</b>
Width	<b>16 mm</b>		
Brush height	<b>35 mm</b>		
Suitable for	<b>Rittal TS 8</b>		
enclosure			
Length	<b>835 mm</b>		



**KDR-BES-U-TS8-1200**

Part No.	<b>58210.0495</b>	For enclosure	<b>1.200 mm</b>
EAN	<b>4251269316</b>	width	
	<b>531</b>	Sight size of	<b>495 mm</b>
Package	<b>1</b>	base opening	
quantity		Division bar	<b>yes</b>
Width	<b>16 mm</b>		
Brush height	<b>35 mm</b>		
Suitable for	<b>Rittal TS 8</b>		
enclosure			
Length	<b>495 mm</b>		



**KDR-BES-U-HW-600 (392/35 mm)**

Part No.	<b>58210.0392</b>
EAN	<b>4251269324</b>
	<b>697</b>
Package	<b>1</b>
quantity	
Length	<b>392 mm</b>
For enclosure	<b>600 mm</b>
width	
Sight size of	<b>392 mm</b>
base opening	
Brush height	<b>35 mm</b>



**KDR-BES-U-HW-600 (392/50 mm)**

Part No. **58215.0392**  
EAN **4251269324**  
**734**  
Package quantity **1**  
Length **392 mm**  
For enclosure width **600 mm**  
Sight size of base opening **392 mm**  
Brush height **50 mm**



**KDR-BES-U-HW-600 (592/35 mm)**

Part No. **58210.0592**  
EAN **4251269324**  
**703**  
Package quantity **1**  
Length **592 mm**  
For enclosure width **600 mm**  
Sight size of base opening **592 mm**  
Brush height **35 mm**



**KDR-BES-U-HW-600 (592/50 mm)**



Part No. **58215.0592**  
EAN **4251269324**  
**741**  
Package quantity **1**  
Length **592 mm**  
For enclosure width **600 mm**  
Sight size of base opening **592 mm**  
Brush height **50 mm**

**KDR-BES-U-HW-600 (792/35 mm)**



Part No. **58210.0792**  
EAN **4251269324**  
**710**  
Package quantity **1**  
Length **792 mm**  
For enclosure width **600 mm**  
Sight size of base opening **792 mm**  
Brush height **35 mm**

**KDR-BES-U-HW-600 (792/50 mm)**

Part No. **58215.0792**  
EAN **4251269324**  
**758**  
Package quantity **1**  
Length **792 mm**  
For enclosure width **600 mm**  
Sight size of base opening **792 mm**  
Brush height **50 mm**



**KDR-BES-U-HW-600 (992/35 mm)**

Part No. **58210.0992**  
EAN **4251269324**  
**727**  
Package quantity **1**  
Length **992 mm**  
For enclosure width **600 mm**  
Sight size of base opening **992 mm**  
Brush height **35 mm**



**KDR-BES-U-HW-600 (992/50 mm)**



Part No. **58215.0992**  
EAN **4251269324**  
**765**  
Package quantity **1**  
Length **992 mm**  
For enclosure width **600 mm**  
Sight size of base opening **992 mm**  
Brush height **50 mm**

**KDR-BES-U-SSP-600 (35 mm)**



Part No. **58210.0414** Sight size of **414 mm**  
EAN **4251269324** base opening  
**611** Brush height **35 mm**  
Package quantity **1**  
Width **16 mm**  
Suitable for enclosure **Schneider Electric Spacial SF**  
Length **414 mm**  
For enclosure width **600 mm**



**KDR-BES-U-SSP-600 (50 mm)**

Part No.	<b>58215.0414</b>	Sight size of	<b>414 mm</b>
EAN	<b>4251269324</b>	base opening	
	<b>659</b>	Brush height	<b>50 mm</b>
Package quantity	<b>1</b>		
Width	<b>16 mm</b>		
Suitable for enclosure	<b>Schneider Electric Spacial SF</b>		
Length	<b>414 mm</b>		
For enclosure width	<b>600 mm</b>		



**KDR-BES-U-SSP-800 (35 mm)**

Part No.	<b>58210.0614</b>	Sight size of	<b>614 mm</b>
EAN	<b>4251269324</b>	base opening	
	<b>628</b>	Brush height	<b>35 mm</b>
Package quantity	<b>1</b>		
Width	<b>16 mm</b>		
Suitable for enclosure	<b>Schneider Electric Spacial SF</b>		
Length	<b>614 mm</b>		
For enclosure width	<b>800 mm</b>		



**KDR-BES-U-SSP-800 (50 mm)**



Part No.	<b>58215.0614</b>	Sight size of	<b>614 mm</b>
EAN	<b>4251269324</b>	base opening	
	<b>666</b>	Brush height	<b>50 mm</b>
Package quantity	<b>1</b>		
Width	<b>16 mm</b>		
Suitable for enclosure	<b>Schneider Electric Spacial SF</b>		
Length	<b>614 mm</b>		
For enclosure width	<b>800 mm</b>		

**KDR-BES-U-SSP-1000 (35 mm)**



Part No.	<b>58210.0814</b>	Sight size of	<b>814 mm</b>
EAN	<b>4251269324</b>	base opening	
	<b>635</b>	Brush height	<b>35 mm</b>
Package quantity	<b>1</b>		
Width	<b>16 mm</b>		
Suitable for enclosure	<b>Schneider Electric Spacial SF</b>		
Length	<b>814 mm</b>		
For enclosure width	<b>1.000 mm</b>		

**KDR-BES-U-SSP-1000 (50 mm)**

Part No.	<b>58215.0814</b>	Sight size of	<b>814 mm</b>
EAN	<b>4251269324</b>	base opening	
	<b>673</b>	Brush height	<b>50 mm</b>
Package quantity	<b>1</b>		
Width	<b>16 mm</b>		
Suitable for enclosure	<b>Schneider Electric Spacial SF</b>		
Length	<b>814 mm</b>		
For enclosure width	<b>1.000 mm</b>		



**KDR-BES-U-SSP-1200 (35 mm)**

Part No.	<b>58210.0477</b>	Sight size of	<b>477 mm</b>
EAN	<b>4251269324</b>	base opening	
	<b>642</b>	Brush height	<b>35 mm</b>
Package quantity	<b>1</b>		
Width	<b>16 mm</b>		
Suitable for enclosure	<b>Schneider Electric Spacial SF</b>		
Length	<b>477 mm</b>		
For enclosure width	<b>1.200 mm</b>		



**KDR-BES-U-SSP-1200 (50 mm)**



Part No. **58215.0477** Sight size of **477 mm**  
EAN **4251269324** base opening  
**680** Brush height **50 mm**  
Package quantity **1**  
Width **16 mm**  
Suitable for enclosure **Schneider Electric Spacial SF**  
Length **477 mm**  
For enclosure width **1.200 mm**

**KDR-BES-U-ELDON-600 (35 mm)**



Part No. **58221.0435** Sight size of **435 mm**  
EAN **4251269325** base opening  
**229** Brush height **35 mm**  
Package quantity **1**  
Width **16 mm**  
Suitable for enclosure **nVent Eldon MCD/MCS/MKD/MKS**  
Length **435 mm**  
For enclosure width **600 mm**

**KDR-BES-U-ELDON-600 (50 mm)**

Part No.	<b>58222.0435</b>	Sight size of	<b>435 mm</b>
EAN	<b>4251269325</b>	base opening	
	<b>267</b>	Brush height	<b>50 mm</b>
Package quantity	<b>1</b>		
Width	<b>16 mm</b>		
Suitable for enclosure	<b>nVent Eldon MCD/MCS/MKD/MKS</b>		
Length	<b>435 mm</b>		
For enclosure width	<b>600 mm</b>		



**KDR-BES-U-ELDON-800+1600 (35 mm)**

Part No.	<b>58221.0635</b>	Sight size of	<b>635 mm</b>
EAN	<b>4251269325</b>	base opening	
	<b>236</b>	Brush height	<b>35 mm</b>
Package quantity	<b>1</b>		
Width	<b>16 mm</b>		
Suitable for enclosure	<b>nVent Eldon MCD/MCS/MKD/MKS</b>		
Length	<b>635 mm</b>		
For enclosure width	<b>800 mm</b>		



**KDR-BES-U-ELDON-800+1600 (50 mm)**



Part No. **58222.0635** Sight size of **635 mm**  
EAN **4251269325** base opening  
**274** Brush height **50 mm**  
Package quantity **1**  
Width **16 mm**  
Suitable for enclosure **nVent Eldon**  
**MCD/MCS/M**  
**KD/MKS**  
Length **635 mm**  
For enclosure width **800 mm**

**KDR-BES-U-ELDON-1000 (35 mm)**



Part No. **58221.0835** Sight size of **835 mm**  
EAN **4251269325** base opening  
**243** Brush height **35 mm**  
Package quantity **1**  
Width **16 mm**  
Suitable for enclosure **nVent Eldon**  
**MCD/MCS/M**  
**KD/MKS**  
Length **835 mm**  
For enclosure width **1.000 mm**

**KDR-BES-U-ELDON-1000 (50 mm)**

Part No.	<b>58222.0835</b>	Sight size of	<b>835 mm</b>
EAN	<b>4251269325</b>	base opening	
	<b>281</b>	Brush height	<b>50 mm</b>
Package quantity	<b>1</b>		
Width	<b>16 mm</b>		
Suitable for enclosure	<b>nVent Eldon MCD/MCS/MKD/MKS</b>		
Length	<b>835 mm</b>		
For enclosure width	<b>1.000 mm</b>		



**KDR-BES-U-ELDON-1200 (35 mm)**

Part No.	<b>58221.0495</b>	Sight size of	<b>495 mm</b>
EAN	<b>4251269325</b>	base opening	
	<b>250</b>	Brush height	<b>35 mm</b>
Package quantity	<b>1</b>		
Width	<b>16 mm</b>		
Suitable for enclosure	<b>nVent Eldon MCD/MCS/MKD/MKS</b>		
Length	<b>495 mm</b>		
For enclosure width	<b>1.200 mm</b>		



**KDR-BES-U-ELDON-1200 (50 mm)**



Part No. **58222.0495** Sight size of **495 mm**  
EAN **4251269325** base opening  
**298** Brush height **50 mm**  
Package quantity **1**  
Width **16 mm**  
Suitable for enclosure **nVent Eldon**  
**MCD/MCS/M**  
**KD/MKS**  
Length **495 mm**  
For enclosure width **1.200 mm**

**KDR-BES-U-ETA-ENUX-600 (35 mm)**



Part No. **58221.0363** Sight size of **363 mm**  
EAN **4251269325** base opening  
**304** Brush height **35 mm**  
Package quantity **1**  
Width **16 mm**  
Suitable for enclosure **ETA E NUX**  
Length **363 mm**  
For enclosure width **600 mm**



**KDR-BES-U-ETA-ENUX-600 (50 mm)**

Part No.	<b>58222.0363</b>	Sight size of	<b>363 mm</b>
EAN	<b>4251269325</b>	base opening	
	<b>342</b>	Brush height	<b>50 mm</b>
Package quantity	<b>1</b>		
Width	<b>16 mm</b>		
Suitable for enclosure	<b>ETA E NUX</b>		
Length	<b>363 mm</b>		
For enclosure width	<b>600 mm</b>		



**KDR-BES-U-ETA-ENUX-800 (35 mm)**

Part No.	<b>58221.0563</b>	Sight size of	<b>563 mm</b>
EAN	<b>4251269325</b>	base opening	
	<b>311</b>	Brush height	<b>35 mm</b>
Package quantity	<b>1</b>		
Width	<b>16 mm</b>		
Suitable for enclosure	<b>ETA E NUX</b>		
Length	<b>563 mm</b>		
For enclosure width	<b>800 mm</b>		



**KDR-BES-U-ETA-ENUX-800 (50 mm)**



Part No.	<b>58222.0563</b>	Sight size of	<b>563 mm</b>
EAN	<b>4251269325</b>	base opening	
	<b>359</b>	Brush height	<b>50 mm</b>
Package quantity	<b>1</b>		
Width	<b>16 mm</b>		
Suitable for enclosure	<b>ETA E NUX</b>		
Length	<b>563 mm</b>		
For enclosure width	<b>800 mm</b>		

**KDR-BES-U-ETA-ENUX-1000 (35 mm)**



Part No.	<b>58221.0345</b>	Sight size of	<b>345 mm</b>
EAN	<b>4251269325</b>	base opening	
	<b>328</b>	Brush height	<b>35 mm</b>
Package quantity	<b>1</b>		
Width	<b>16 mm</b>		
Suitable for enclosure	<b>ETA E NUX</b>		
Length	<b>345 mm</b>		
For enclosure width	<b>1.000 mm</b>		

**KDR-BES-U-ETA-ENUX-1000 (50 mm)**

Part No.	<b>58222.0345</b>	Sight size of	<b>345 mm</b>
EAN	<b>4251269325</b>	base opening	
	<b>366</b>	Brush height	<b>50 mm</b>
Package quantity	<b>1</b>		
Width	<b>16 mm</b>		
Suitable for enclosure	<b>ETA E NUX</b>		
Length	<b>345 mm</b>		
For enclosure width	<b>1.000 mm</b>		



**KDR-BES-U-ETA-ENUX-1200 (35 mm)**

Part No.	<b>58221.0445</b>	Sight size of	<b>445 mm</b>
EAN	<b>4251269325</b>	base opening	
	<b>335</b>	Brush height	<b>35 mm</b>
Package quantity	<b>1</b>		
Width	<b>16 mm</b>		
Suitable for enclosure	<b>ETA E NUX</b>		
Length	<b>445 mm</b>		
For enclosure width	<b>1.200 mm</b>		



**KDR-BES-U-ETA-ENUX-1200 (50 mm)**



Part No. **58222.0445** Sight size of **445 mm**  
EAN **4251269325** base opening  
**373** Brush height **50 mm**  
Package quantity **1**  
Width **16 mm**  
Suitable for enclosure **ETA E NUX**  
Length **445 mm**  
For enclosure width **1.200 mm**

**KDR-BES-U-HG2-600**



Part No. **58210.0362** Sight size of **362 mm**  
EAN **4251269318** base opening  
**207**  
Package quantity **1**  
Brush height **35 mm**  
Suitable for enclosure **nVent Hoffman PROLINE G2**  
Length **362 mm**  
For enclosure width **600 mm**

**KDR-BES-U-HG2-800**

Part No. **58210.0562** Sight size of **562 mm**  
EAN **4251269318** base opening  
**214**  
Package quantity **1**  
Brush height **35 mm**  
Suitable for enclosure **nVent Hoffman PROLINE G2**  
Length **562 mm**  
For enclosure width **800 mm**



**KDR-BES-U-HG2-1000**

Part No. **58210.0762** Sight size of **762 mm**  
EAN **4251269318** base opening  
**221**  
Package quantity **1**  
Brush height **35 mm**  
Suitable for enclosure **nVent Hoffman PROLINE G2**  
Length **762 mm**  
For enclosure width **1.000 mm**



Edge protection trim



Part No.	<b>99152</b>
EAN	<b>4251269318</b>
	<b>238</b>
Package quantity	<b>1</b>
Length	<b>100.000 mm</b>
Clamping range	<b>0 x 1 - 2 mm</b>

---

**icotek**<sup>®</sup>  
smart cable management